

## Robust & Powerful Hub Wheel Drive TDH230

### Product Description

2-stage helical gearbox with aluminum die cast housing and integrated AC induction motor, holding brake, four-point bearing and speed sensor.

- Battery voltage: 24 Volt
- Motor power: 600 Watt

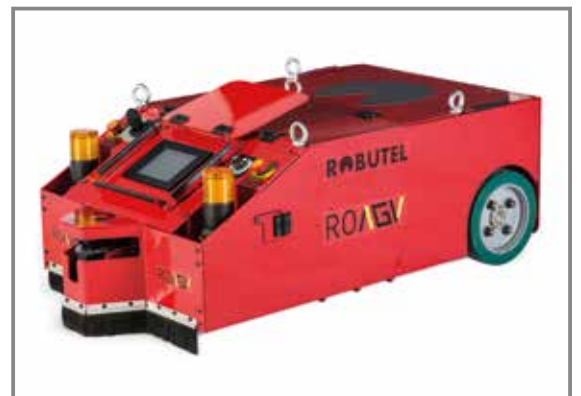


### Advantages

- Maintenance-free drive
- Complete motor-brake-gearbox-unit
- Protection class IP43
- Compact design by integration of drive unit into wheel
- Tight enveloping circle / low installation height
- Easy implementation (Plug & play)
- Robust construction

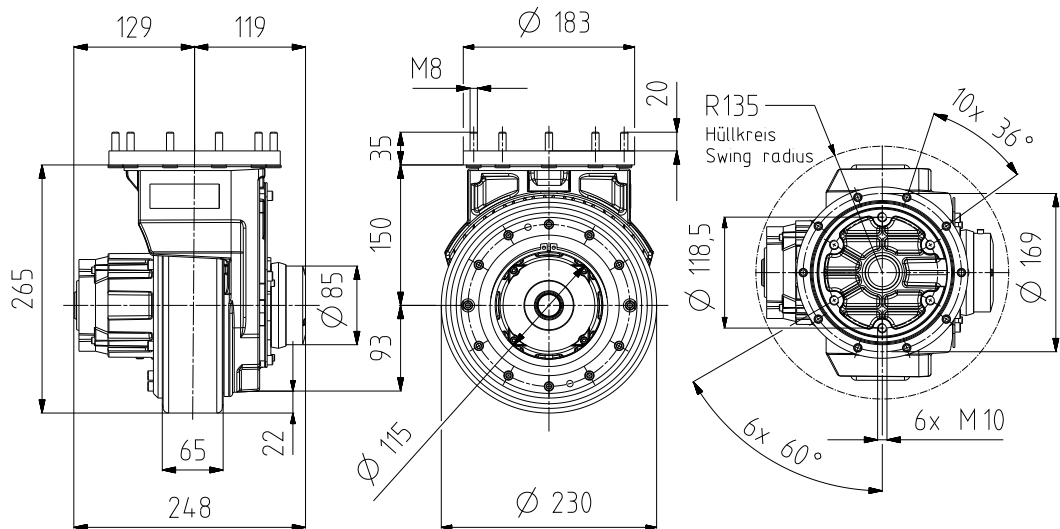
### Application Examples

- Pallet trucks
- Automated guided vehicle systems



## Robust & Powerful Hub Wheel Drive TDH230

### Dimension Table



### Technical Data

#### Hub Wheel Drive TDH230

##### *Gearbox Data*

|  |             |
|--|-------------|
| Static Wheel Load                          | 7,000 N     |
| Gear Reduction Ratios                      | 36.04       |
| Max. Wheel Torque (stat.)                  | 360 Nm      |
| Wheel Diameter $\varnothing$ x wheel width | 230 x 65 mm |

##### *Motor Data*

|                  |                                      |
|------------------|--------------------------------------|
| Output S2-60 min | 0.6 kW                               |
| Rated voltage    | AC 3x15 Volt Delta (24 Volt battery) |
| Max. Amperage    | 90 A                                 |

##### *Brake Data*

|         |            |
|---------|------------|
| Voltage | DC 24 Volt |
| Torque  | 7 Nm       |

### Contact

ABM Greiffenberger Antriebstechnik GmbH | Postfach 140 | 95614 Marktredwitz / Germany  
 Phone: +49 9231 67-0 | Fax: +49 9231 67-5145 | MobileDriveTechnology@abm-drives.com | www.abm-drives.com

## Robust & Powerful Hub Wheel Drive TDH280

### Product Description

2-stage planetary-helical gearbox with integrated AC-Motor, holding brake, four-point bearing and speed sensor.

- Battery voltage: 36 Volt
- Motor power: 1200 Watt



### Advantages

- Maintenance-free drive
- Complete motor-brake-gearbox-unit
- Protection class IP55
- Compact design by integration of the components into the drive wheel
- Tight enveloping circle / low installation height
- Easy implementation
- Robust construction

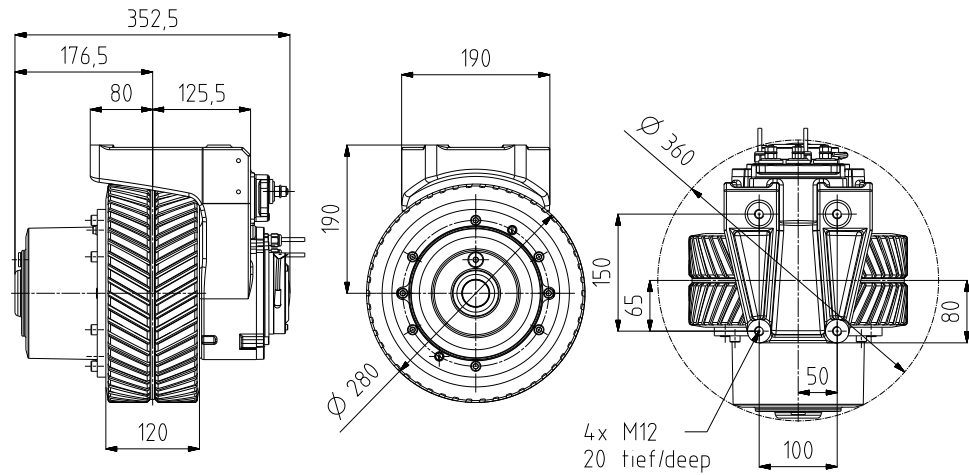
### Application Examples

- Pallet trucks
- Automated guided vehicle systems
- Sweeper / Scrubbers



## Robust & Powerful Hub Wheel Drive TDH280

### Dimension Table



### Technical Data

| Hub Wheel Drive                        | TDH280                               |
|--|--------------------------------------|
| <i>Gearbox Data</i>                    |                                      |
| Static Wheel Load                      | 8,000 N                              |
| Gear Reduction Ratios                  | 42.0                                 |
| Max. Wheel Torque (stat.)              | 525 Nm                               |
| Wheel size $\varnothing$ x Wheel width | 280 x 120 mm                         |
| <i>Motor Data</i>                      |                                      |
| Output S2-60 min                       | 1.2 kW                               |
| Rated voltage                          | AC 3x22 Volt Delta (36 Volt Battery) |
| Max. Amperage                          | 143 A                                |
| <i>Brake Data</i>                      |                                      |
| Voltage                                | DC 24 Volt                           |
| Torque                                 | 11 Nm                                |

### Contact

ABM Greiffenberger Antriebstechnik GmbH | Postfach 140 | 95614 Marktredwitz / Germany  
 Phone: +49 9231 67-0 | Fax: +49 9231 67-5145 | [MobileDriveTechnology@abm-drives.com](mailto:MobileDriveTechnology@abm-drives.com) | [www.abm-drives.com](http://www.abm-drives.com)