

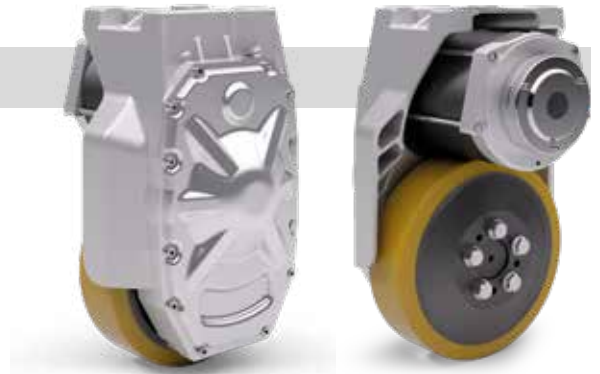
Functional & Quiet

Parallel Shaft Gears TDF200 & TDF230

Product Description

2 stage helical gearbox with aluminum die cast housing and integrated AC induction motor, holding brake and speed sensor.

- Battery voltage: 24 Volt
- Motor power: up to 2.0 kW



Advantages

- Maximum efficiency for low energy consumption
- Optimized helical gear technology guarantees quiet running
- Special application-specific motor sizes
- Compact, light and quiet
- Robust and durable

Application Examples

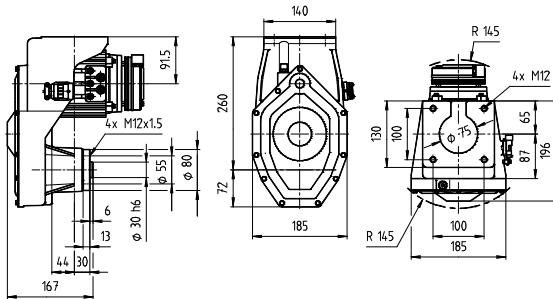
- Pallet trucks
- Automated guided vehicle systems



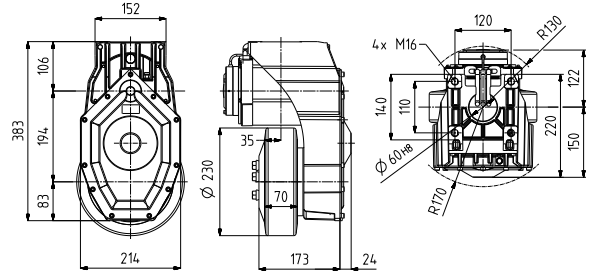
Functional & Quiet Parallel Shaft Gears TDF200 & TDF230

Dimension Table

TDF200



TDF230



Technical Data

Parallel Shaft Gears	TDF200	TDF230
<i>Gearbox Data</i>		
Static wheel load	7,750 N	10,000 N
Reduction	27	18.2 - 30.1
Max. wheel torque	435 Nm	660 Nm
Wheel size \varnothing x Wheel width	200 x 70 mm	230 x 70 mm
<i>Motor Data</i>		
Output S2-60 min	1.2 kW	1.2 - 2.0 kW
Rated voltage	AC 3x15 Volt Dreieck (24 Volt Batterie)	
Max. Amperage	max. 210 A	
<i>Brake Data</i>		
Voltage	DC 24 Volt	
Torque	11 Nm	11 - 20 Nm

Contact

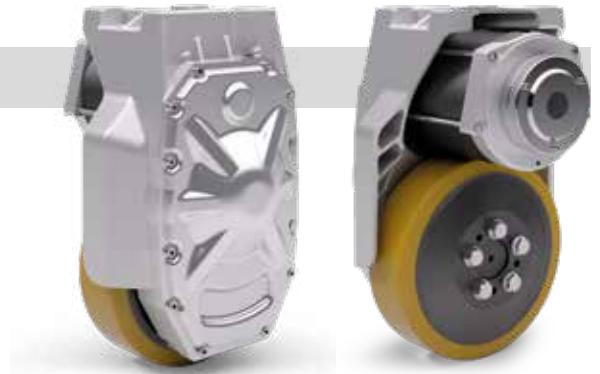
ABM Greiffenberger Antriebstechnik GmbH | Postfach 140 | 95614 Marktredwitz / Germany
Phone: +49 9231 67-0 | Fax: +49 9231 67-5145 | MobileDriveTechnology@abm-drives.com | www.abm-drives.com

Functional & Quiet Parallel Shaft Gears TDF254

Product Description

2 stage helical gearbox with **ductile cast iron** and integrated AC induction motor, holding brake and speed sensor.

- Battery voltage: 24 Volt
- Motor power: up to 2.0 kW



Advantages

- Maximum efficiency for low energy consumption
- Optimized helical gear technology guarantees quiet running
- Special application-specific motor sizes
- Robust and durable
- Compact, light and quiet

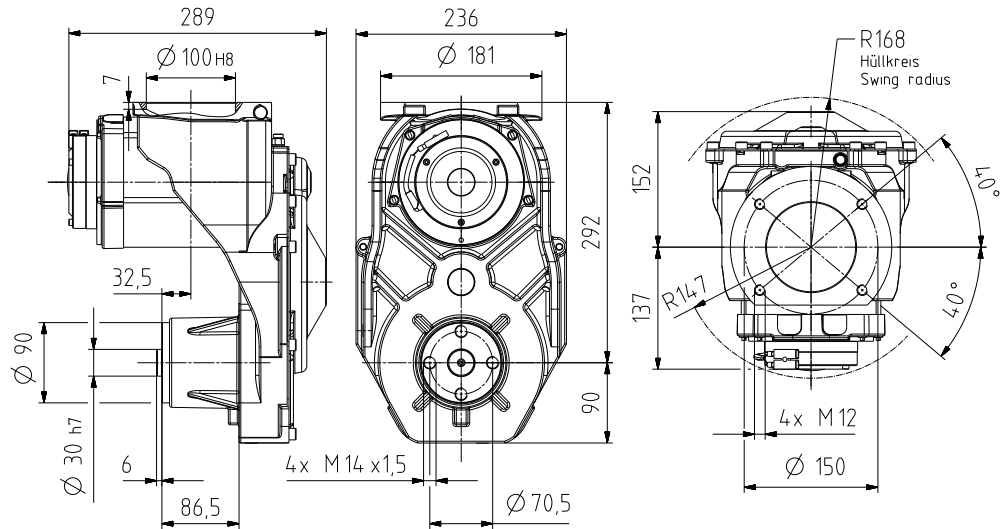
Application Examples

- Pallet trucks
- Automated guided vehicle systems



Functional & Quiet Parallel Shaft Gears TDF254

Dimension Table



Technical Data

Parallel Shaft Gears

TDF254

Gearbox Data

Static wheel load	11,000 N
Reduction	29.7
Max. wheel torque	690 Nm
Wheel size Ø x Wheel width	254 x 100 mm

Motor Data

Output S2-60 min	2.0 kW
Rated voltage	AC 3x15 Volt Dreieck (24 Volt battery)
Max. Amperage	210 A

Brake Data

Voltage	DC 24 Volt
Torque	20 Nm

Contact

ABM Greiffenberger Antriebstechnik GmbH | Postfach 140 | 95614 Marktredwitz / Germany
Phone: +49 9231 67-0 | Fax: +49 9231 67-5145 | MobileDriveTechnology@abm-drives.com | www.abm-drives.com