

Safe & Powerful Electric Chain & Entertainment Hoists

Benefits & Advantages

- Reliable overload protection and slip clutch
- Energy efficient through high power efficiency
- Robust, low maintenance & corrosion protected
- Quiet operation through high grade helical gearing
- Versatile building blocks
- Safe Working Load: 125 - 2,000 kg (1 or 2 fall operation)
- FEM classification: up to FEM 3m



Configurations & Options

		Basic Configuration	Options
Lifting Speed	1-speed		⊗
	2-speed	✓	
Power Supply	380 - 415 V / 50 Hz (440 - 480 V / 60 Hz upon request)	✓	
	Special voltage / -frequency		⊗
Mounting	Eye Bolt	✓	
	Swivel Top Hook		⊗
Control	Direct Control	✓	
	Integrated Electronic control		⊗
Limit Switches	Stop at maximum upper and lower hook positions		⊗

Integrated Electronic Control

- Basic circuit board for lifting & lowering
→ Easy expansion of travel function by Plug & Play with one circuit board
- Integrated protection functions
- Including brake control
- Long life & robust
→ No wear of contact points
- Compact design

NEW!

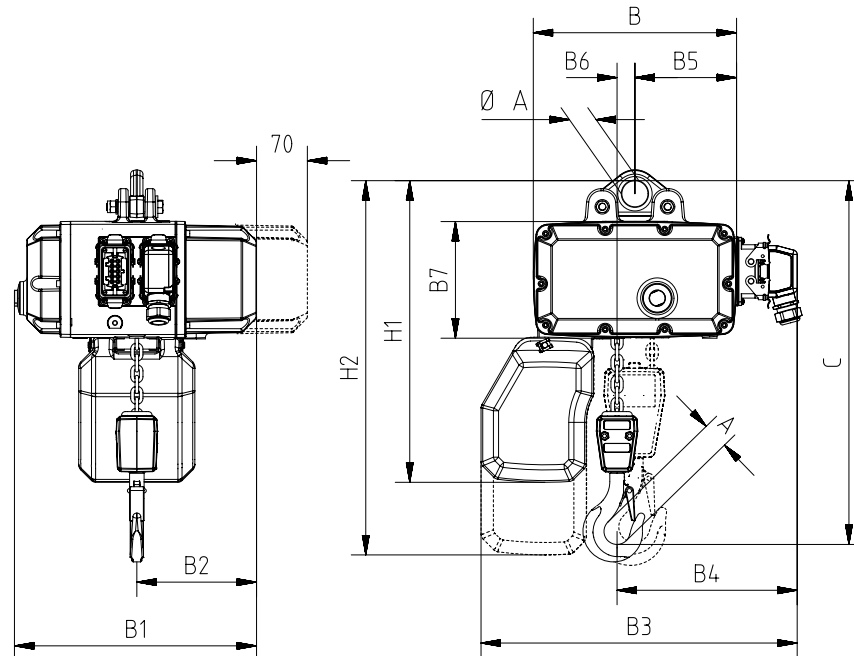


Contact

ABM Greiffenberger Antriebstechnik GmbH | Postfach 140 | D - 95614 Marktredwitz
Phone: +49 9231 67-0 | Fax: +49 9231 67-5145
Lifting@abm-drives.com | www.abm-drives.com

Safe & Powerful Electric Chain & Entertainment Hoists

Dimensions



Type	Load [kg]	Ø A	A	B	B1	B2	B3	B4	B5	B6	B7	C	H1	H2
CH 1	250 / 500	36 3	22	280	327	165	425	242	140	25	160	367	415	515
CH 2	500 / 1,000	36	26	280	327	165	425	242	140	25	160	400	415	515
CH 3	1,000 / 2,000	52	32	310	375	196	502	266	166	24	180	480	512	662

Weight of Standard Hoist only:

CH 1 = 30 kg | CH 2 = 33 kg | CH 3 = 54 kg

Capacity Range | Frequency 50 Hz

Type	Load [kg]	Lifting Speed		No of falls
		1-speed m/min	2-speed m/m	
CH 1 250.8	250	8	2.0 / 8.0	1
CH 1 500.4	500	4	1.0 / 4.0	2
CH 1 250.5	250	5	1.25 / 5.0	1
CH 1 500.2,5	500	2.5	0.62 / 2.5	2
CH 2 500.8	500	8	2.0 / 8.0	1
CH 2 1000.4	1,000	4	1.0 / 4.0	2
CH 2 500.5	500	5	1.25 / 5.0	1
CH 2 1000.2,5	1,000	2.5	0.62 / 2.5	2
CH 3 1000.10	1,000	10	2.5 / 10.0	1
CH 3 2000.5	2,000	5	1.25 / 5.0	2
CH 3 1000.8	1,000	8	2.0 / 8.0	1
CH 3 2000.4	2,000	4	1.0 / 4.0	2

60 Hz performance data are available on request.